



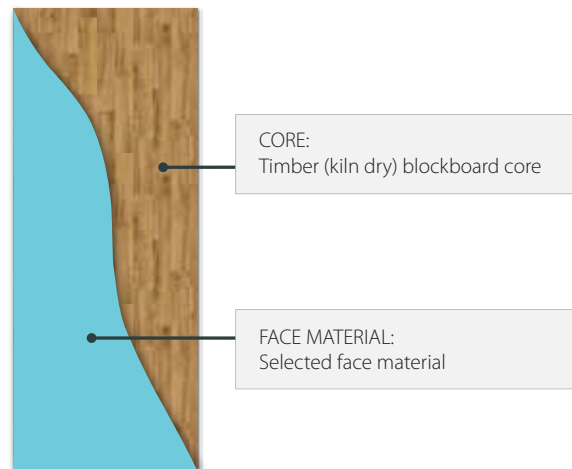
DOOR CONSTRUCTION TYPES

SPECIFICATIONS

VER: 1.0

BlockBoard Solid (STPC)

All component sizes - nominal - prior to trimming.
Construction may vary different states.



Engineered Joinery

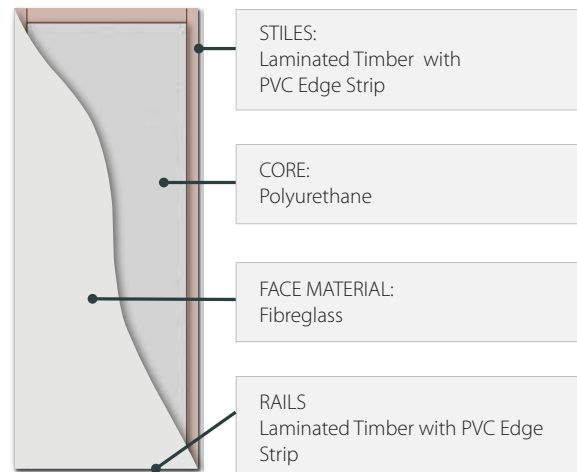
All component sizes - nominal - prior to trimming.
Construction may vary different states.





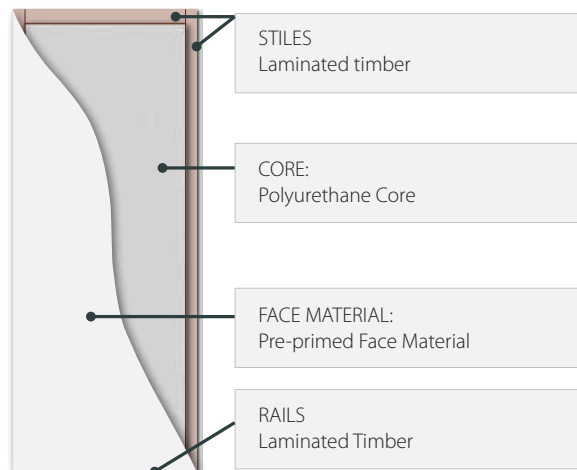
Fibreglass

All component sizes - nominal - prior to trimming.
Construction may vary different states.



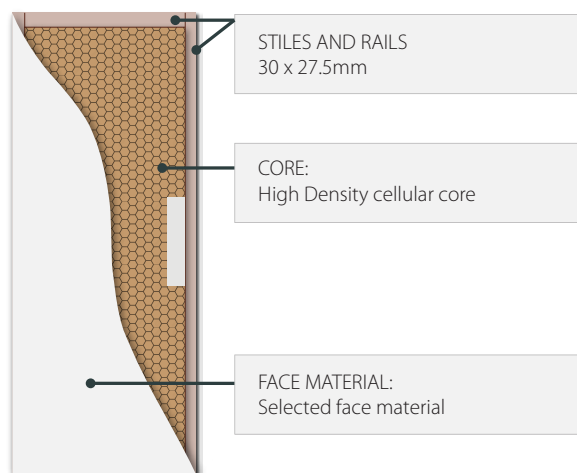
Hampton

All component sizes - nominal - prior to trimming.
Construction may vary different states.



Hollow Core

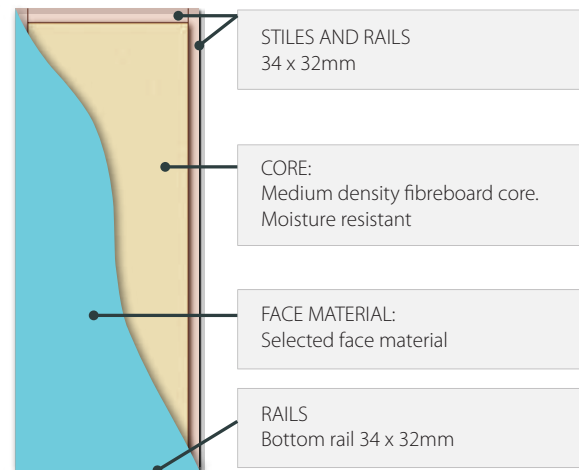
All component sizes - nominal - prior to trimming.
Construction may vary different states.





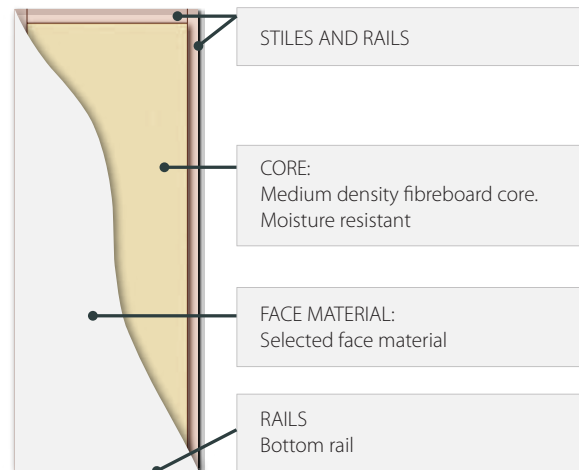
Solid Entrance

All component sizes - nominal - prior to trimming.
Construction may vary different states.



Solid Internal

All component sizes - nominal - prior to trimming.
Construction may vary different states.



Solicore (SCX1)

All component sizes - nominal - prior to trimming.
Construction may vary different states.

