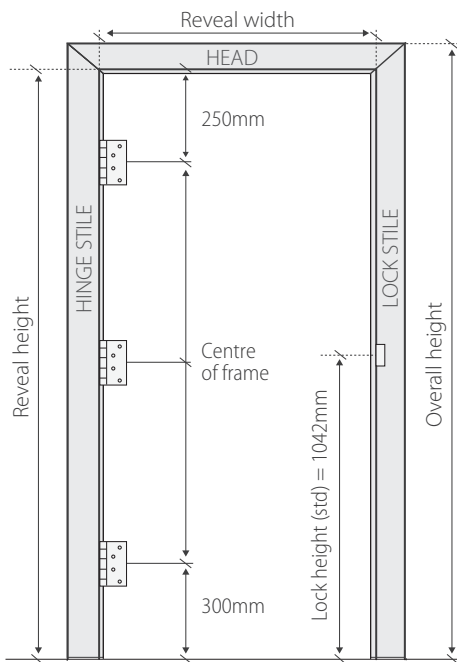
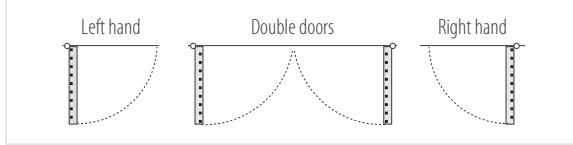


### STEEL FRAME STANDARD HINGE AND LOCK POSITIONS (NON RATED FRAMES)

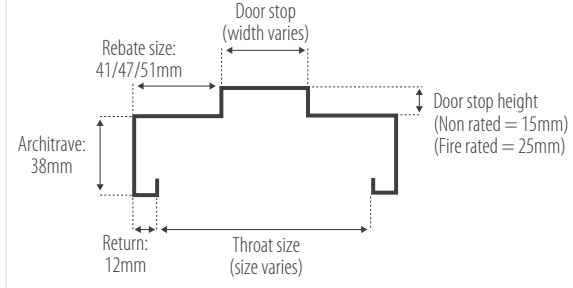


### DOOR HANDINGS

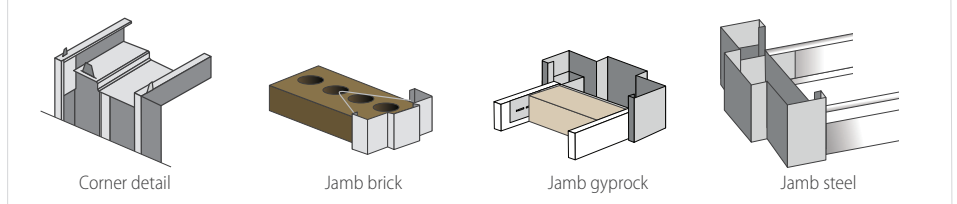


- Includes 3 hinges (Required to meet door guarantee for solid doors)
- Hinges screw fixed to frame to allow removal if required for easy door hanging
- Zinc finish, ready for priming or painting

### STEEL FRAME PROFILE



### PROFILE DETAILS

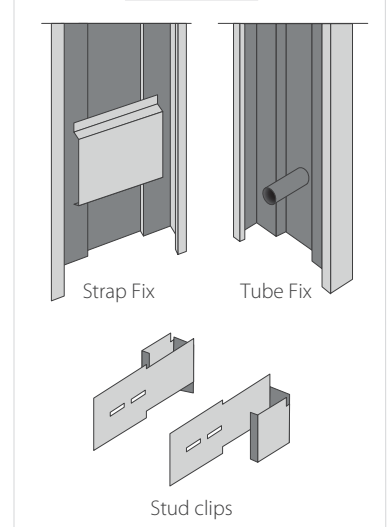


## NON FIRE RATED KNOCK DOWN STEEL FRAME

DESIGN CODE	Single Door Frame Size (mm)				Double Door Frame Size (mm)		
	2065x724	2065x824	2065x874	2065x924	2065x1246	2065x1446	2065x1646
N86	P.O.A.	P.O.A.	P.O.A.	P.O.A.	P.O.A.	P.O.A.	P.O.A.
N93	P.O.A.	P.O.A.	P.O.A.	P.O.A.	P.O.A.	P.O.A.	P.O.A.
N102	P.O.A.	P.O.A.	P.O.A.	P.O.A.	P.O.A.	P.O.A.	P.O.A.
N114	P.O.A.	P.O.A.	P.O.A.	P.O.A.	P.O.A.	P.O.A.	P.O.A.
N145	P.O.A.	P.O.A.	P.O.A.	P.O.A.	P.O.A.	P.O.A.	P.O.A.
N193	P.O.A.	P.O.A.	P.O.A.	P.O.A.	P.O.A.	P.O.A.	P.O.A.
NM114	P.O.A.	P.O.A.	P.O.A.	P.O.A.	P.O.A.	P.O.A.	P.O.A.
NM145	P.O.A.	P.O.A.	P.O.A.	P.O.A.	P.O.A.	P.O.A.	P.O.A.
NM193	P.O.A.	P.O.A.	P.O.A.	P.O.A.	P.O.A.	P.O.A.	P.O.A.

- N = to suit 35mm non fire rated door
- NM = to suit 40mm non fire rated door
- Throat size is denoted by the number in the product code. For example N114 = 114mm throat size
- SPECIAL NOTE: N114 frames supplied with stud clips, brick ties and retail packaging

### ADDITIONAL EXTRAS



## FIRE RATED KNOCK DOWN STEEL FRAME

DESIGN CODE	Single Door Frame Size (mm)			Double Door Frame Size (mm)		
	2055x824	2055x874	2055x924	2055x1246	2055x1446	2055x1646
F114	P.O.A.	P.O.A.	P.O.A.			
F145	P.O.A.	P.O.A.	P.O.A.			
F193	P.O.A.	P.O.A.	P.O.A.			
FM114	P.O.A.	P.O.A.	P.O.A.	P.O.A.	P.O.A.	P.O.A.
FM145	P.O.A.	P.O.A.	P.O.A.	P.O.A.	P.O.A.	P.O.A.
FM193	P.O.A.	P.O.A.	P.O.A.	P.O.A.	P.O.A.	P.O.A.

- F = to suit 35-37mm fire rated door
- FM = to suit 45-47mm fire rated door
- Throat size is denoted by the number in the product code. For example FM114 = 114mm throat size
- All fire rated frames supplied in Victoria are assembled only (P.O.A.)
- SPECIAL NOTE: Fire rated steel frames supplied with brick ties only as standard

Additional Extras		
Stud clips	P.O.A	per set
Tube and strap fixings	P.O.A	per frame
Dimple fixing	P.O.A	per frame
Retail Packaging	P.O.A	per frame
Assembled frames	P.O.A	
Special sizes and profiles	P.O.A	

- Contact your local Hume state office for custom orders
- Steel door frame warranty refer to page 62
- Cancellations or alterations for made to order doors will only be accepted on the day of ordering