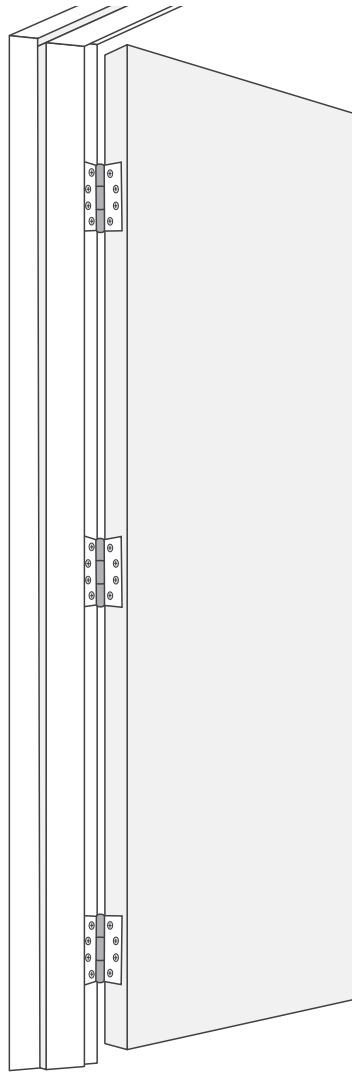




HUME DOORS & TIMBER

HOW TO INSTALL A DOOR

- Instructions are for a pre-existing door jamb
- Door furniture not included
- Hinges not included



TOOLS NEEDED



Pencil



Tape Measure



Level



Cordless Drill



Hammer



Phillips Screwdriver



Timber Wedge



Chisel



Trimming Knife



Combination Square



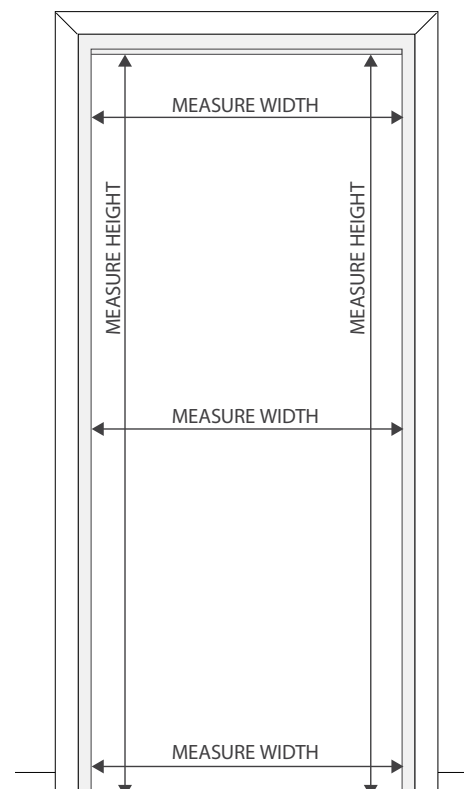
Scan the QR code to watch door installation video

1 CHECK MEASURE OPENING WIDTH AND HEIGHT



NOTE: Its important to check measure door opening before installing the door.

- 1.1. Measure width of the door opening in 3 places top, middle and bottom.
- 1.2. Measure height of the door opening on both the left and right side of the jamb.



2 TRIMMING THE DOOR



NOTE ABOUT TRIMMING:

- **Maximum of 3mm may be trimmed** from any edge of the door in accordance to Hume Doors Guarantee. This must be done evenly on both sides.
- **Recommended clearance:** Between door and jamb leave 3mm of space. The Bottom clearance varies depending on floor coverings (Figure 2).
- Every opening is unique and most doors will require trimming.

2.1. Use your opening width and height to calculate the **final size** of the door using the formula below.

Door width = Opening width - 6mm
 (6mm is for the recommended clearance of 3mm left plus 3mm right)

Door height = Opening height - (3mm + Floor clearance)
 (3mm is for the recommended clearance at the top of the door. The floor clearance will vary according to the floor coverings)

2.2. You need to know the orientation of the door when marking door for trimming. The bottom of the door will have the date of manufacture.

2.3. Using the **final size** we can now mark the door for trimming. Use a combination square and a pencil to draw your trim lines.

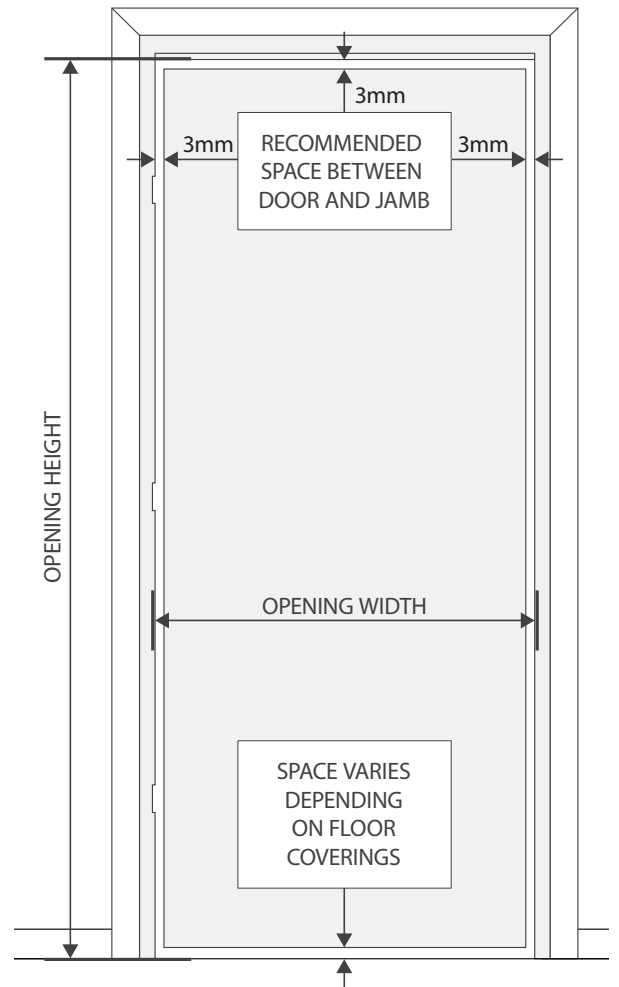
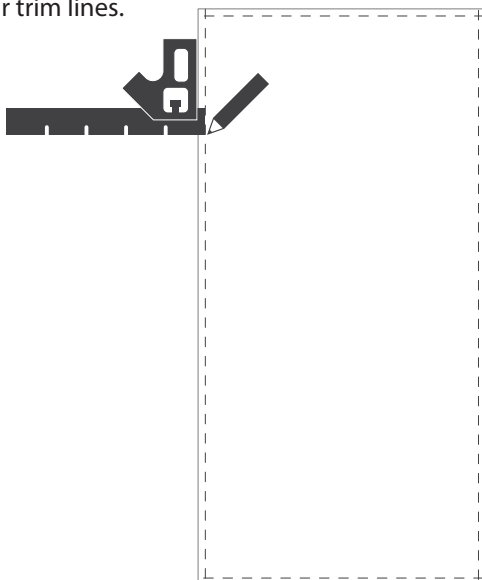
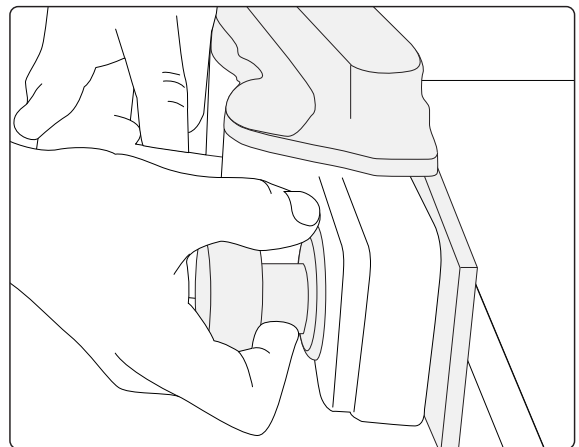


Figure 2

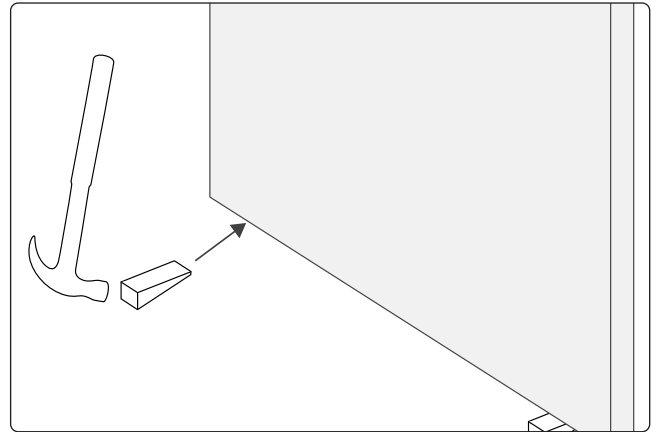
2.4. Clamp the door to secure it in place in preparation for trimming. Use a power planer to trim the door. Make sure you don't go past your marked lines.



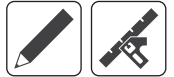
3 PLACE DOOR IN OPENING



- 3.1. Place the door in the opening. You may require help to move the door if it is too heavy.
- 3.2. Use 2 wedges to correctly position the door in the opening.
- 3.3. With door positioned in the opening, check for correct margins (recommended clearance top, sides and bottom). Door may require more trimming if it doesn't fit correctly.



4 MEASURE AND MARK FOR HINGES



NOTE ABOUT HINGES REQUIRED:

- 2 Hinges: Internal doors (non solid).
- 3 Hinges: Semi-Solid, Solid and Entrance doors up to 2040 x 820mm.
- 4 Hinges: Semi-Solid, Solid and Entrance doors for larger doors.

- 4.1. With the door wedged in the correct position, find the location for the hinges on the jamb. Mark all the hinge positions onto the face of the door (Figure 4).
- 4.2. Remove door from opening and place securely on its side. Transfer your hinge markings from the face onto the edge of the door.
- 4.3. Open hinge and align it on the markings. Trace around the hinge with a pencil.
- 4.4. While keeping the hinge held in place scribe around the hinge with a trimming knife. This will help when chiselling. Always cut away from your supporting hand for safety.

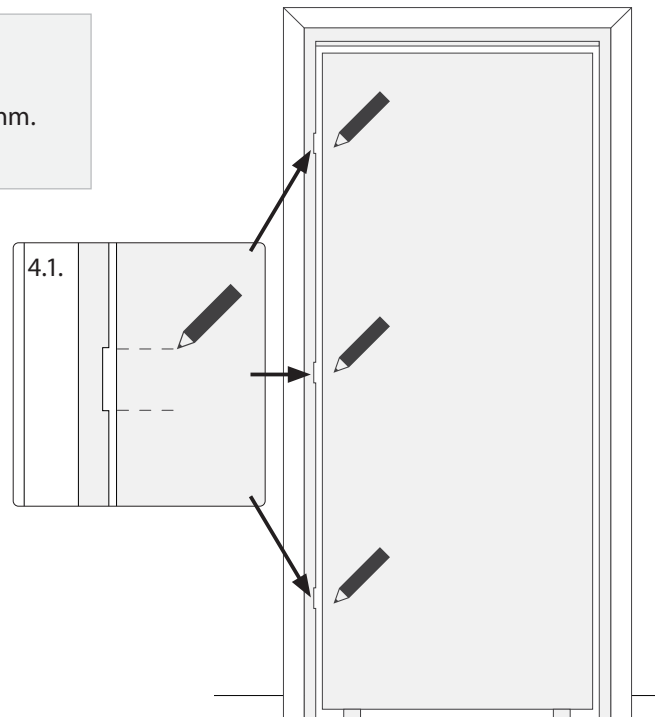
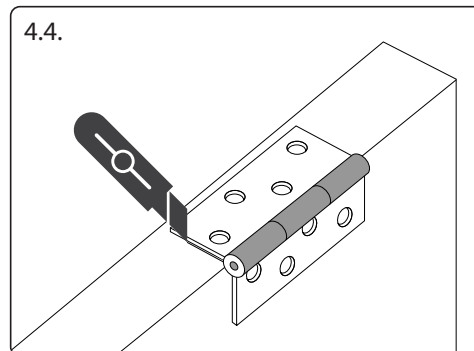
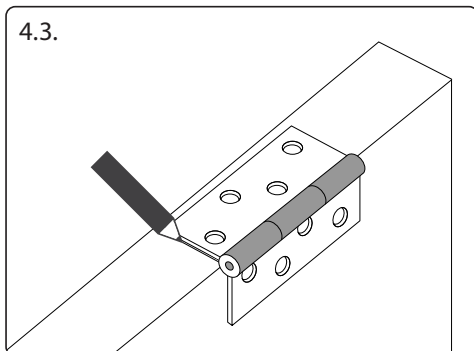


Figure 4



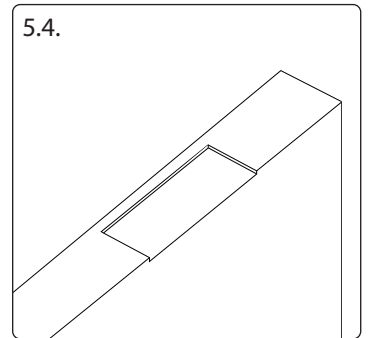
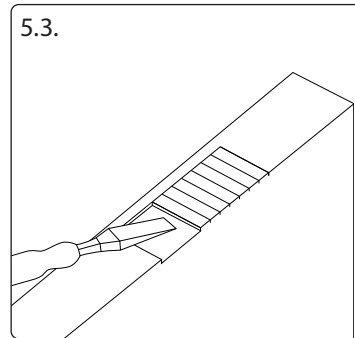
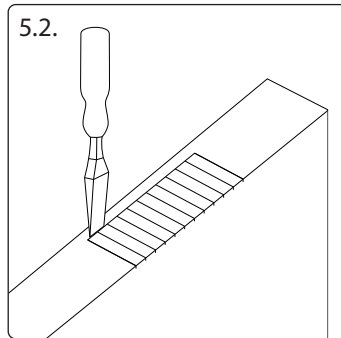
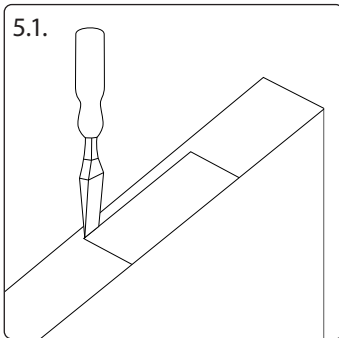
5 CHISEL OUT FOR HINGES



- 5.1. Using a hammer and a chisel, start with a series of cuts along the scribed outline.
- 5.2. Make a series of relief cuts along the hinge area.
- 5.3. Now chisel out a shallow recess for the hinge. Ensure you don't cut deeper than the hinge leaf thickness.
- 5.4. Carefully remove any excess and then sand for a clean finish.



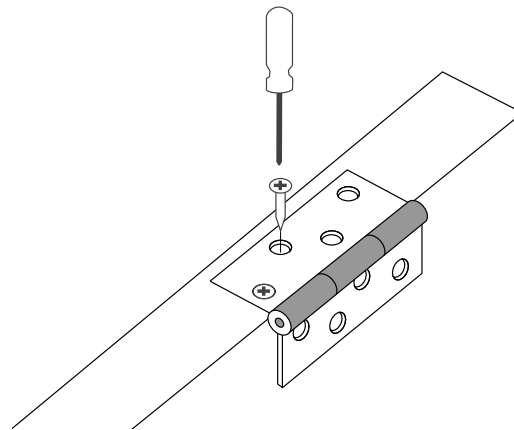
Chiselling for hinges technique can be viewed in our Installation video. Tap here or scan the QR code. Details outlined at 3m:00s



6 FIX HINGES TO THE DOOR

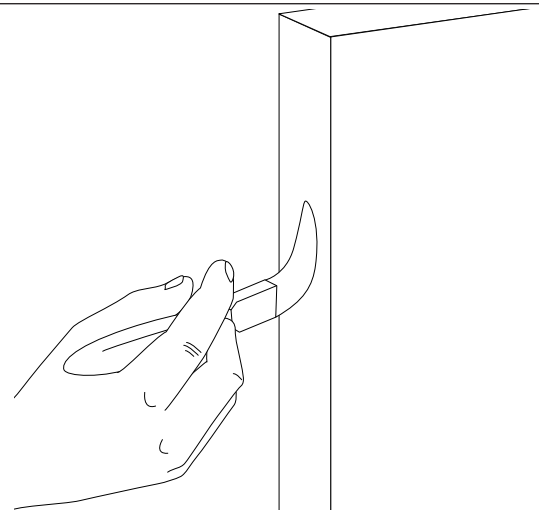


- 6.1. Place hinge in position and pre-drill holes for screws.
- 6.2. Insert screws and secure hinge in place.
- 6.3. Repeat for all hinges.



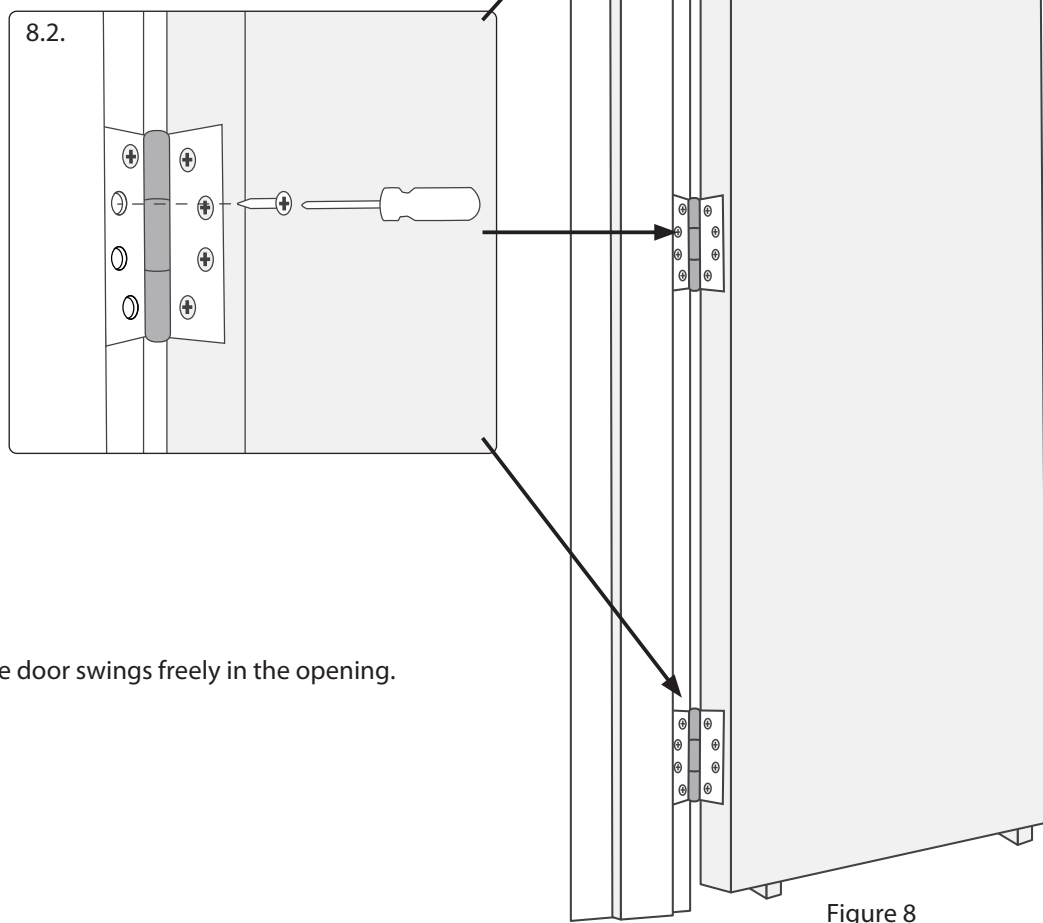
7 SEAL DOOR

- 7.1. Seal the door top and bottom before hanging the door. This will protect the door from moisture. See manufacturer's warranty for details.



8 HANG THE DOOR

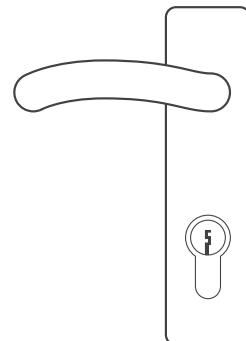
- 8.1. Place the door on wedges and ensure hinges line up at the correct height (Figure 8).
- 8.2. Screw in the hinges.



- 8.3. Make sure that the door swings freely in the opening.

9 INSTALL DOOR FURNITURE

Now is the time to install your selected door furniture. Follow the manufacturers instructions.





HOW TO INSTALL A DOOR

CONTACT DETAILS

NEW SOUTH WALES

HUME DOORS & TIMBER – (AUST) PTY LTD
ABN 39 001 472 493

Sydney Office & Showroom
120 Hume Highway, Lansvale NSW 2166
PO Box 333, Cabramatta NSW 2166
P : 02 9794 1111
E : info@humedoors.com.au

Port Macquarie Branch
No. 2 Belah Road, Port Macquarie NSW 2444
P : 02 6581 0011
E : pmsales@humedoors.com.au

Newcastle Branch
7 Waterloo Avenue, Thornton NSW 2322
P : 02 4966 8880
E : nclsales@humedoors.com.au

QUEENSLAND

HUME DOORS & TIMBER (QLD) PTY LTD
ABN 25 009 994 996

86 – 92 Mudgee Street, Kingston QLD 4114
PO Box 2243, Logan City D.C. Qld 4114
P : 07 3489 6200
E : sales@humedoorsqld.com.au

Sunshine Coast Branch
14 Junction Drive, Coolum Beach Qld 4573
P : 07 5446 2640
E : hdtcoolum@humedoorsqld.com.au

Cairns Branch
4-6 Ponzo Street, Woree, QLD 4868
P : 07 4041 2099
E : hdtcairns@humedoorsqld.com.au

Northern Territory Branch
3 Adams Road (Cnr Beresford), Yarrowonga NT 0830
P : 08 8932 3733
E : hdtnt@humedoorsqld.com.au

SOUTH AUSTRALIA

HUME DOORS & TIMBER (SA) PTY LTD
ABN 34 007 512 209
89 Heaslip Road, Burton SA 5110
PO Box 2037, Salisbury Downs SA 5108
P : 08 8280 2000
E : hdtisa@humedoors.com.au

VICTORIA

HUME DOORS & TIMBER (VIC) PTY LTD
ABN 87 006 329 906

33 Remington Drive, South Dandenong VIC 3175
PO Box 4236, South Dandenong VIC 3164
P : 03 9799 6888
E : hdtvic@humedoors.com.au

Tasmanian Branch
5 Hudson Fysh Drive, Western Junction TAS 7212
PO Box 393, Prospect Tasmania 7250
P : 03 6774 9100
E : tassales@humedoors.com.au

WESTERN AUSTRALIA

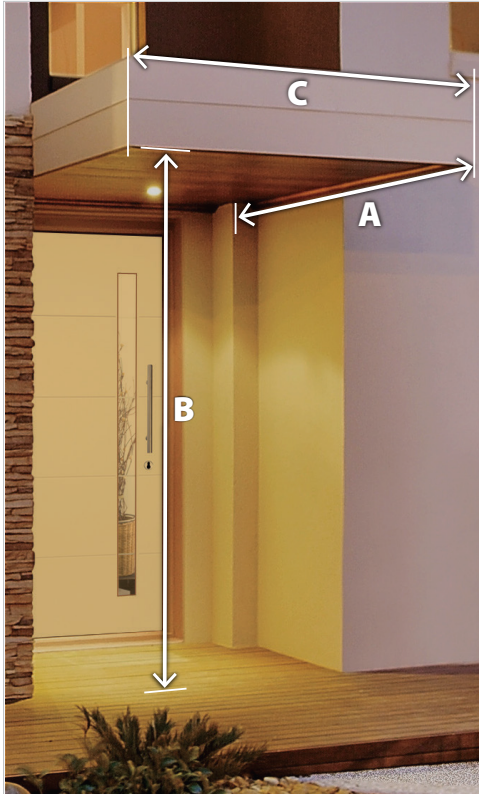
HUME DOORS & TIMBER (WA) PTY LTD
ABN 62 009 421 569

75 Briggs Street, Carlisle WA 6101
PO Box 118, Welshpool WA 6986
P : 08 9470 1800
E : hdtwa@humedoors.com.au





OVERHEAD PROTECTION



With Australia's climate extremes entrance doors will weather differently and timber doors are more susceptible to the elements than steel, aluminium or fibreglass doors.

Depending on your location and aspect the required overhead protection will vary. Tropical areas generally requiring more overhang than southern states.

The chart below will assist in determining the size of overhead protection which will vary depending on home design and adjacent walls.

Dimension 'C' – subject to adjacent walls – minimum width same width as entry frame

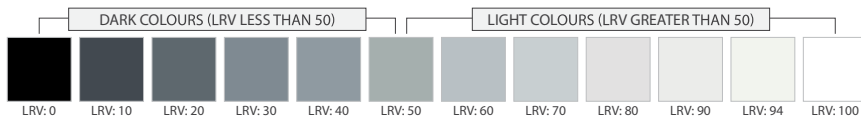
Note: colour choice for your exterior door will also affect weathering. Dark colours absorb heat, accelerating door deterioration, warping and bowing. For door guarantee refer page 62.

OVERHEAD PROTECTION CALCULATION				
Climate	North	South	East	West
Coastal	A = 1/2 B	A = B	A = 1/2 B	A = B
Tropical	A = B	A = B	A = B	A = B
Arid	A = B	A = 1/2 B	A = B	A = 1/2 B
Mild	A = 1/2 B	A = 1/2 B	A = 1/2 B	A = B



CARE & MAINTENANCE

- Your timber door may be affected by changes in temperature, moisture and location. After selecting and purchasing your Hume door, store flat in a dry, well-ventilated area before installation.
- Before fitting the door, all six door surfaces should be sealed initially then after installation painted, stained or clear finished with good quality products. Follow the paint manufacturer's instructions with the correct number of coats on ALL surfaces.
- Light reflective colours are recommended for Entrance Doors to reduce the possibility of bow, twist or warp. Dark colours will void Hume guarantee. Semi-gloss finishes are recommended. Paint with a light reflectance value (LRV) finish greater than 50 should be used on external doors. See table below.



- Use the same colour on all six door surfaces. Different colours may cause doors to warp.
- Entrance Doors require overhead protection.
- Location and fitting of your door furniture can depend on door construction. Solid doors (rated for BAL12.5, BAL19, BAL29 & BAL40) may have door furniture installed at any selected height, either side of the door.
- Door maintenance is necessary for long term performance and periodic inspections are recommended. At the first signs of deterioration, your door should be properly refinished. Make sure that all surfaces of the door receive proper resealing and painting.
- To clean your door, use a damp cloth. Do not hose or use chemicals or abrasives on your door. Lightly oil hinges and door furniture for optimum performance.
- Contact your nearest Hume Doors stockist or the Hume Doors website for more information.





GUARANTEE DOORS

Our products come with guarantees that cannot be excluded under the Australian Consumer Law. You are entitled to a replacement or refund for a major failure and for compensation for any other reasonably foreseeable loss or damage. You are also entitled to have the goods repaired or replaced if the goods fail to be of acceptable quality and the failure does not amount to a major failure.

Subject to terms and conditions set forth herein, doors manufactured by: Hume Doors & Timber (Aust) Pty. Ltd., Hume Doors & Timber (Qld) Pty. Ltd., Hume Doors & Timber (Vic) Pty. Ltd., Hume Doors & Timber (SA) Pty. Ltd. or Hume Doors & Timber (WA) Pty. Ltd. (hereinafter referred to as "the Company") are guaranteed by the manufacturer for five years (Fire doors excluded and carry a one year guarantee) from the date of shipment by the manufacturer to be of good material and workmanship, free from defects which render them unserviceable or unfit for the use for which they were manufactured.

TERMS AND CONDITIONS

Natural variations in the colour, texture or grain pattern of the wood or MDF are not to be considered defects. Doors must be accorded reasonable treatment by the purchaser and should be stored or hung in dry buildings and not in damp, moist or freshly plastered areas. The utility or structural strength must not be impaired in the fitting of the door, the application of hardware, or cutting and altering of the door for lights, louvres, panels or any special details. A maximum of 3mm may be trimmed from any edge of the door. This must be done evenly. Normal "show-through" of frame components in doors shall not be considered a defect. Entrance/solid doors up to 2040 x 820 require three hinges, larger doors require four hinges or pivot system. ENTRANCE DOORS & ENTRANCE SYSTEMS SHOULD BE HUNG IN WEATHER PROTECTED AREAS.

Doors and door systems including pivot systems that are installed in a fully exposed situation including opening out doors will not be warranted. Immediately after fitting and prior to hanging, the entire door including the top and bottom edges must be painted. Use a good quality paint or coating system and always follow the paint manufacturer's advice. Pay

particular attention to internal vs external paint systems and use the one appropriate to where you are hanging the door. This includes doors that are supplied raw or factory primed. If staining, must use exterior grade varnish/sealer to prevent absorption of moisture. Always follow the varnish/sealer manufacturer's advice. SEMI GLOSS OR SATIN FINISHES ARE RECOMMENDED FOR ALL DOORS TO REDUCE "SHOW-THROUGH".

Exterior finishes to be applied strictly in accordance with paint manufacturers instructions. Entrance and exterior doors should be finished in light reflective colours to reduce the risk of heat absorption which causes warping. DARK COLOURS WILL VOID WARRANTY. Regular maintenance should be provided to prevent deterioration. Where any legislation provides for remedies for the Company's breach of a condition or warranty whether statutory or otherwise, then, at the Company's option, the customer's sole remedy for such breach except a breach of Section 69 of the Trade Practices Act will be limited to: such remedy, or the repair of the products, or the replacement of the products or the re-supply of the products; or the payment of the cost of replacing the products; or the cost of having the services supplied again; or the re-provision of the services. No claim will be accepted unless notified in writing to the Company within seven (7) days of the date of delivery of the products or the supply of the services.

The Company will not be held responsible for additional charges of hanging, painting or other charges arising from the replacement of doors. Any such defects must be brought to the attention of the manufacturer when discovered and in any event within five years from the date of shipment by the Company. The Company is not liable to reimburse any purchaser for doors repaired or replaced without the prior written consent of the Company to such repair or replacement. The Company will not assume responsibility for doors which become defective because of failure to follow these conditions or hazards of shipment or storage, after doors leave the control of the Company. The Company will not be liable for any costs, claims, damages or demands arising from the personal injury, loss or damage whatsoever occurring to the customer or its agents, servants as a result of either acts or omissions of the customer. The Company will

not be liable for any consequential loss or damage, whether due to its negligence or otherwise. The Company will not be liable to the customer for the Company's failure to comply with its obligations to the customer due to any cause beyond the Company's reasonable control and the Company's obligations affected by such cause are suspended while the cause continues to prevent or hinder the Company's performance.

ADVISORY NOTE

Considerable damage can occur during the delivery of doors particularly to country areas. "Special Packaging" is recommended (optional extra cost) in an attempt to prevent transit damage. The Company is not responsible for any transit damage.

INTERPRETATION OF WARP

Warp shall be interpreted as meaning the cupping/bowing or twisting of doors. It refers to distortion within the door itself and not its relationship to the jambs or frame in which it is hung. Warp of 4mm or less for doors up to 2150mm high and 6mm or less for door heights between 2150mm and 2400mm shall not be considered a defect. Doors over 2400mm high or 1020mm wide are not guaranteed against warp.

EXCLUSIONS

The guarantee against warp does not apply to the following:

- Doors with face veneers of different species.
- Doors that are improperly hung or do not swing freely.
- External flush doors which have been painted or stained dark colours, or different colours each face.

Experience has demonstrated that when warp occurs after doors have been delivered to storage or building sites, it is usually due to improper storage or adverse moisture conditions after hanging and not to faulty manufacture. The Company will accept no responsibility for doors when moisture content of the timber falls below 12% or exceeds 18%. The Company will not accept responsibility for conditions wholly beyond its control. However, the Company should be consulted promptly if excessive warping occurs to provide assistance in overcoming the difficulty.



STEEL DOOR FRAME WARRANTY

Subject to terms and conditions set forth herein, steel door frames manufactured and/or supplied by: Hume Doors & Timber (Aust) Pty. Ltd., Hume Doors & Timber (Qld) Pty. Ltd., Hume Doors & Timber (Vic) Pty. Ltd., Hume Doors & Timber (SA) Pty. Ltd. or Hume Doors & Timber (WA) Pty. Ltd. (hereinafter referred to as "the Company") are warranted by the manufacturer and/or supplier for one year from the date of shipment by the manufacturer and/or supplier to be of good material and workmanship, free from defects which render them unserviceable or unfit for the use for which they were manufactured.

THE COMPANY WARRANTIES:

- Goods manufactured and/or supplied for a period of one (1) year as from the date of shipment, to be free from defects in material and workmanship which would render them unserviceable or unfit for normal use.
- To the extent permitted by law or the express provision of any statute or otherwise hereby expressly excluded and in respect warranties that cannot be so excluded, these terms and conditions shall be read such that those statutory warranties are read as being in addition to the warranties hereby given.
- Subject to Clause 2, the warranty in Clause 1 shall be read subject to the following matters being excluded as defects:
 - Frames not accorded reasonable treatment by the customer.

- Damage or defects arising out of, or in connection with, shipment or storage after frames leave the control of the company (i.e. delivered to site or handed over to a carrier). Frames must be inspected by the customer for visible defects immediately upon delivery.
- Claims for non conforming deliveries (incomplete defective or incorrectly supplied) will only be considered if made within 3 working days of receipt or delivery of frames. All delivery checks are the responsibility of the customer.
- Under NO circumstance will the company be liable if frames are installed before checking that they are supplied correctly and are free from defects.
- Factory priming is only to protect frames in transport and general handling it is the responsibility of the customer to immediately on delivery of all frames apply 2 coats of compatible sealing priming to ensure corrosion or the like does not occur.
- It is the responsibility of the installer to ensure that the frames are installed plumb, square and suitably anchored using the correct fixing points.
- Storage and security of the frames is not the responsibility of the company.
- Stainless steel hinges are required to be maintained every 2 months to ensure prevention of tarnishing and corrosion.



HUME DOORS DELIVERY



Delivery charges

Site Fork unload	NETT per drop	\$175
Site Crane unload	NETT per drop	\$250
Site Hand unload	NETT per drop	\$300
Special packaging or special requirements		P.O.A.
WA only for Pivot and Alfresco	NETT per drop	\$300

- The above delivery charges apply to local boundaries. For delivery outside of these boundaries P.O.A.
- Specific details of delivery boundaries and schedules are available on request.