



EVOLUTION

www.humedoors.com.au

COMPLETE

CAVITY UNIT PACK

PART 1
PREPARING FRAME (Start here)



PART 2
PREPARE THE DOOR (Keep sealed until needed)

✓ HOLDS DOOR FLUSH

✓ ONE TOUCH RELEASE

✓ SOFT CLOSER



EVOLUTION COMPLETE

INSTALLATION INSTRUCTIONS - PART 1

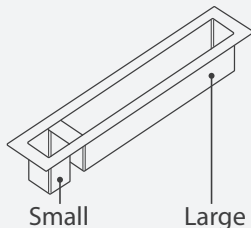
PREPARE THE FRAME

PART 1 (Small section):

- Start by only opening the small side
- Contains screws and instructions to fix track to pocket & install into the opening

PART 2 (Large Section):

- Keep sealed until door installation
- Contains parts and instructions for door preparation and installing the door



COMPONENTS PART1:

- 1 x Head/Track
- 1 x Timber pelmet cover trim
- Touch Plate is Pre-Fitted
- Assorted screws

Includes – Closing jamb (VIC, SA, TAS, WA)

Excludes – Closing jamb (QLD, NT, NSW, ACT)

Excludes – Door and door furniture

PREPARE THE OPENING

Unit size is tight, allow extra for packing when preparing the opening.

Height = Door height + 70mm (QLD, VIC, TAS, SA, NT, WA)

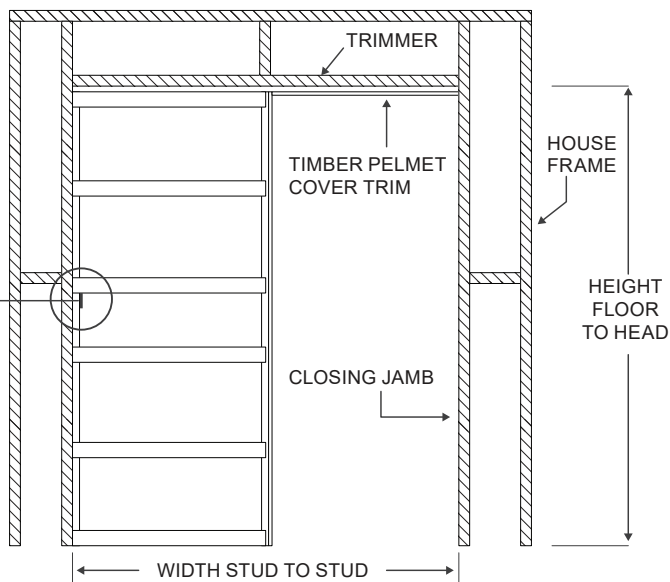
Height = Door height + 80mm (NSW, ACT)

Opening width for Flush jamb = 2 x Door + 60mm

(Flush jamb the door is flush with split jamb)

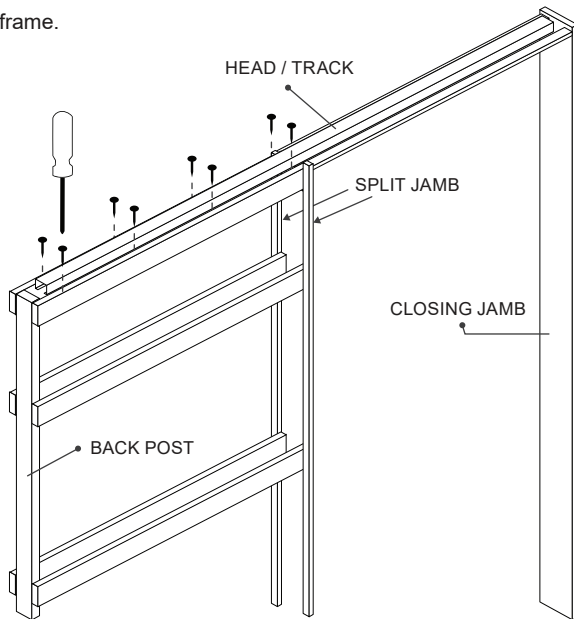


TOUCH RELEASE BACKPLATE
FACTORY FITTED



1. INSTALLING THE CAVITY

- 1.1 Fit and screw steel head/track to top of cavity unit then remove temporary spacer at top.
- 1.2 Fix closing jamb to head/track (closing jamb is not supplied QLD, NSW, ACT).
- 1.3 Stand the assembled cavity unit into the prepared frame opening, make sure split jambs are plumb, (pack under cavity unit if required for additional clearance under door) then fix through back post of cavity unit into house frame.
- 1.4 Level the head/track and fix into house frame.
- 1.5 Plumb closing jamb, pack and fix to house frame.



IMPORTANT

At this stage make sure the temporary spacer block, (located between the split jambs, approximately half way up from the bottom) remains in place during cladding and tiling to prevent distortion of split jambs. This block should only be removed when installing the door.

➤➤ Only open **PART 2** of fittings pack when ready to install the cavity door!

CONTACT DETAILS

NEW SOUTH WALES

P | 02 9794 1111
E | info@humedoors.com.au

QUEENSLAND

P | 07 3489 6200
E | sales@humedoorsqld.com.au

VICTORIA

P | 03 9799 6888
E | hdtvic@humedoors.com.au

SOUTH AUSTRALIA

P | 08 8280 2000
E | hdtsa@humedoors.com.au

WESTERN AUSTRALIA

P | 08 9470 1800
E | hdtwa@humedoors.com.au

NORTHERN TERRITORY

P | 08 8932 3733
E | hdtnt@humedoorsqld.com.au

TASMANIA

P | 0432 042 917
E | tassales@humedoors.com.au

For correct installation and trouble-free use, please follow these instructions carefully. When installing the cavity unit into wall tiled areas, please consult with the substrate/tile manufacturer as to their recommended fixing and tiling methods in accordance with the relevant standards



EVOLUTION COMPLETE

INSTALLATION INSTRUCTIONS - PART 2

PREPARE THE DOOR

IMPORTANT:

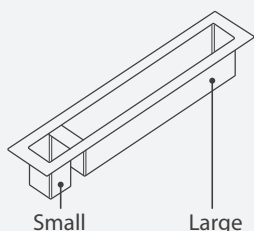
- Ensure you have completed PART 1 before starting PART 2
- Check the door is straight and free of any imperfections. Door must be fully sealed according to Hume Doors & Timber guarantee.

PART 1 (Small section):

- Start by only opening the small side
- Contains screws and instructions to fix track to pocket & install into the opening

PART 2 (Large Section):

- Keep sealed until door installation
- Contains parts and instructions for door preparation and installing the door



COMPONENTS PART 2

- 1 x 4 Wheel assembly
- 1 x Soft Close Cavity Roller
- 2 x Base plates
- 1 x Soft Close Strike Plate
- 1 x Touch Release
- 1 x Adjusting spanner
- 1 x Left hand nylon guide
- 1 x Right hand nylon guide
- 1 x Two piece nylon guide
- Assorted screws

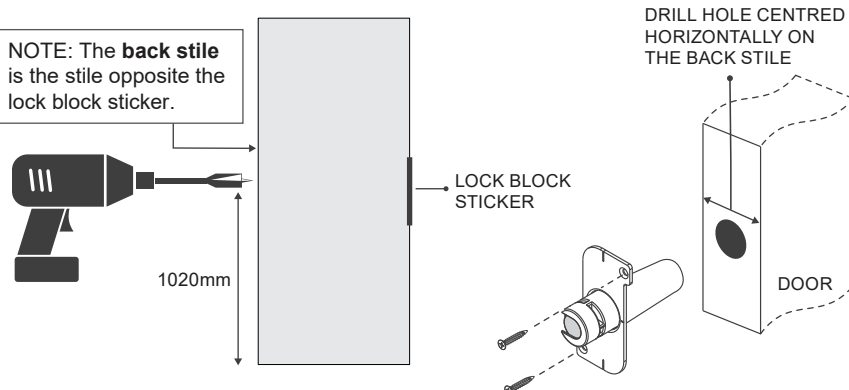
Includes: Closing jamb (VIC, SA, TAS, WA)
Excludes: Closing jamb (QLD, NT, NSW, ACT)
Excludes: Door and door furniture



3. INSTALL THE TOUCH RELEASE

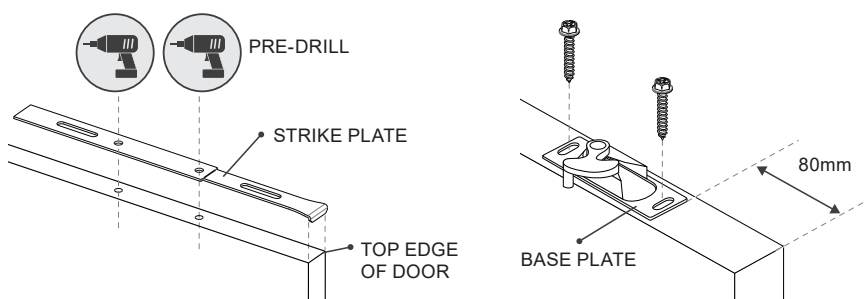
- 3.1 On the back stile of the door, measure and mark 1020mm from the bottom of the door.
NOTE: 1020mm is the Touch Release position for all cavity doors regardless of the overall door height.
- 3.2 Using a 22mm spade bit, drill a hole centred on the **back stile** of the door to a depth of 75mm. Less for hollow core doors.
IMPORTANT: Drill holes must be square and parallel to the door edge.
- 3.3 Insert the Touch Release and tighten with the screws provided, making sure the unit sits flat on the door stile.

NOTE: The **back stile** is the stile opposite the lock block sticker.



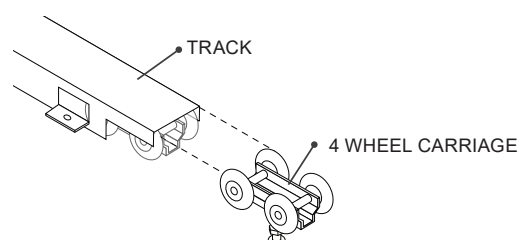
4. ATTACHING THE BASE PLATES TO DOOR

- 4.1 Position the Strike Plate to sit flush on top of the door with the lip overhanging the edge of the door.
- 4.2 Using the striker plate as a drilling **guide** pre-drill holes for Base Plate.
- 4.3 Repeat this on the other side of the door.
- 4.4 Attach both Base Plates to the top of the door. Ensure both lock tabs are accessible and on the same side.
- NOTE: Check Base Plates are 80mm from the edges - See Diagram



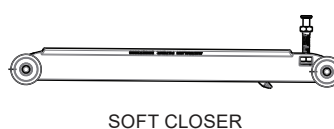
5. ATTACHING THE WHEEL CARRIAGES

- 5.1 Check that no fixings or other obstructions are protruding into the cavity that may damage the door.
- 5.2 Fit the rear 4 wheel carriage into track.

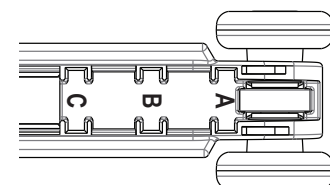


- 5.3 Check the spring strength of the soft closer. Moving the position will change the closing speed and resistance when opening the door.

- “A” position: For large or heavy doors
- “B” position: Factory set. This will suit the majority of doors.
- “C” position: For small or lightweight doors.



SOFT CLOSER



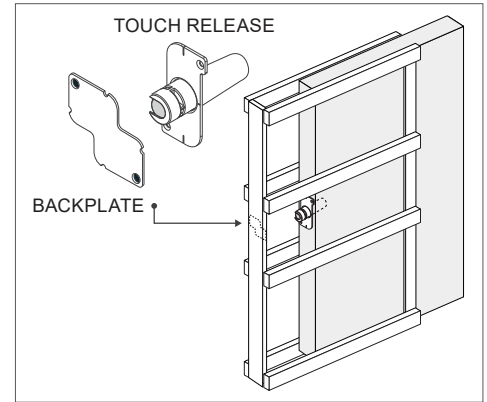
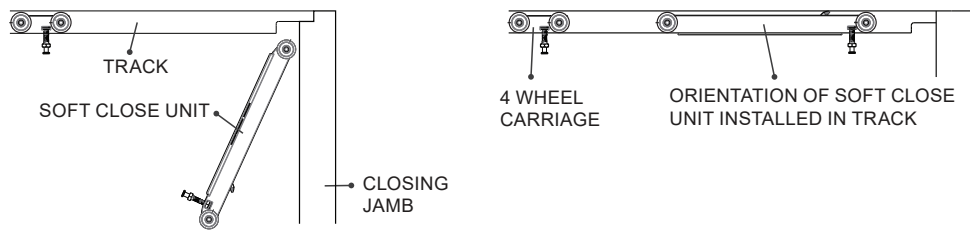
SOFT CLOSER TENSION SETTINGS

Evolution Complete Cavity Unit Installation Instructions - PART 2

5.4 Slide the soft close unit into the track.

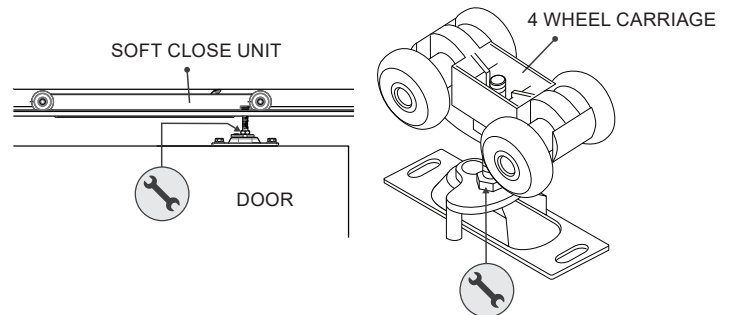
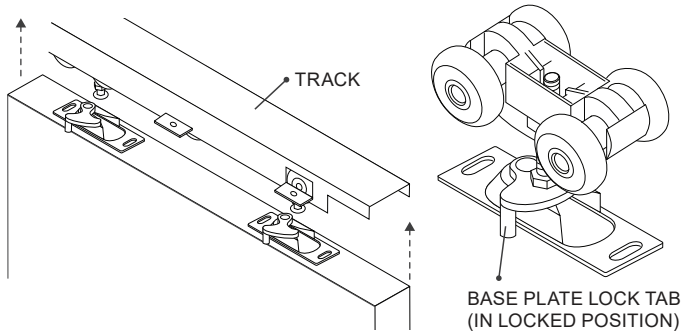
5.5 Place the door into cavity with the Touch Release going into the cavity first.

IMPORTANT: Make sure the Touch Release lines up with the backplate.



5.6 Lift door and position wheel carriage pins into the Base Plate, then lock in with lock tab. Repeat this process for the Soft Close unit.

5.7 Using spanner supplied, adjust height and plumb door against closing jamb.

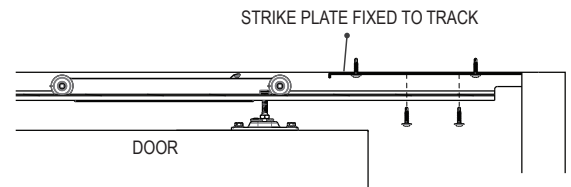
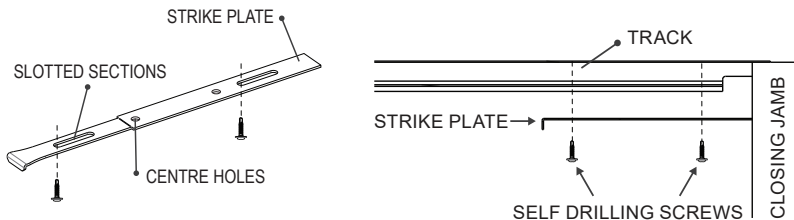


6. ATTACHING THE STRIKE PLATE

6.1 Inside the track, position the Strike Plate against the closing jamb with the stamped arrow pointing toward the door. Fix using 2x self drilling screws to the slotted sections as shown in diagram.

6.2 With Strike Plate in position fix the remaining self drilling screws into the end and centre holes to lock the Strike plate in position.

NOTE: If the door doesn't come to rest against the jamb or hits the jamb too firmly - loosen the fixing screws and move the Strike Plate forward or backward until the Soft Closer brings the door to rest against the closing jamb.



7. ATTACHING NYLON GUIDES & TIMBER PELMET

7.1 Fasten door guides at the bottom of split jambs as shown and adjust until the door slides evenly and smoothly into the cavity unit.

7.2 Fit timber pelmet cover with screws provided (If required trim to desired length).

NOTE: To remove door unscrew removable pelmet, remove door guides and unlock nylon lock tabs. Door will unclick from base plate/s.

For double door installation go to www.humedoors.com.au/downloads#installations

CONTACT DETAILS

NEW SOUTH WALES

P | 02 9794 1111
E | info@humedoors.com.au

QUEENSLAND

P | 07 3489 6200
E | sales@humedoorsqld.com.au

VICTORIA

P | 03 9799 6888
E | hdtvic@humedoors.com.au

SOUTH AUSTRALIA

P | 08 8280 2000
E | hdtsa@humedoors.com.au

WESTERN AUSTRALIA

P | 08 9470 1800
E | hdtwa@humedoors.com.au

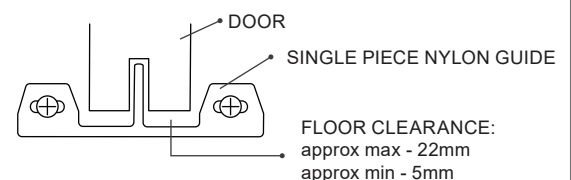
NORTHERN TERRITORY

P | 08 8932 3733
E | hdtnt@humedoorsqld.com.au

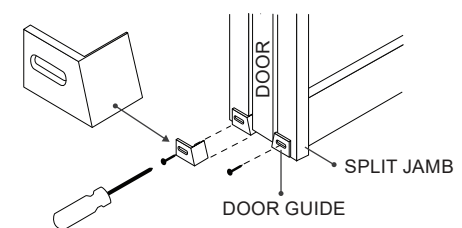
TASMANIA

P | 0432 042 917
E | tassales@humedoors.com.au

SINGLE PIECE NYLON GUIDES



TWO PIECE NYLON GUIDES



For correct installation and trouble-free use, please follow these instructions carefully. When installing the cavity unit into wall tiled areas, please consult with the substrate/tile manufacturer as to their recommended fixing and tiling methods in accordance with the relevant standards