



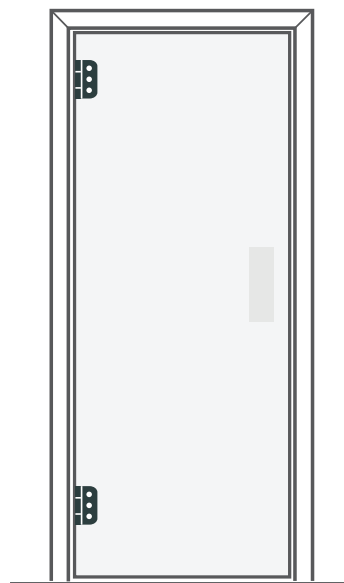
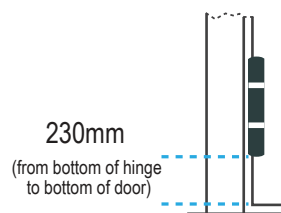
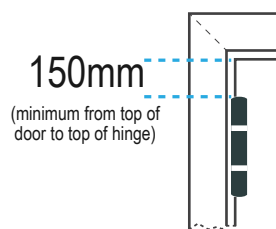
HINGE SETUP - GUIDELINES

GUIDELINES FOR DIY HINGING

VER: 2.0

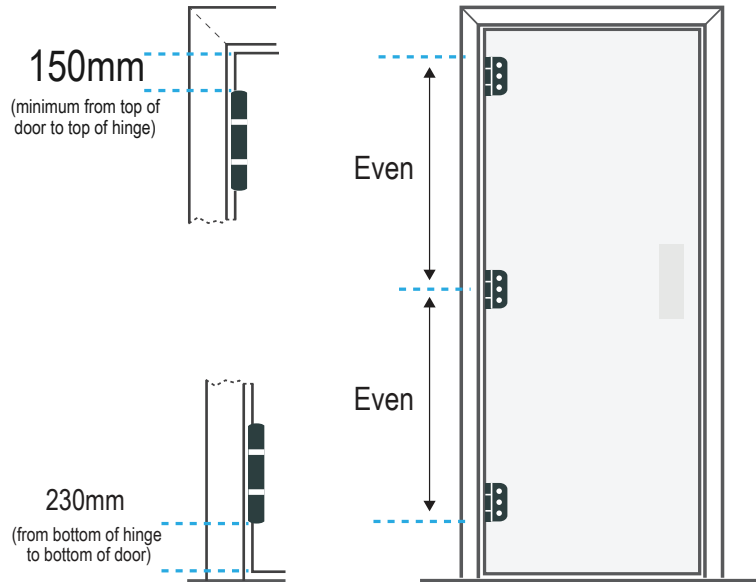
2 Hinge

(Recommended for hollowcore doors under 2340x820)



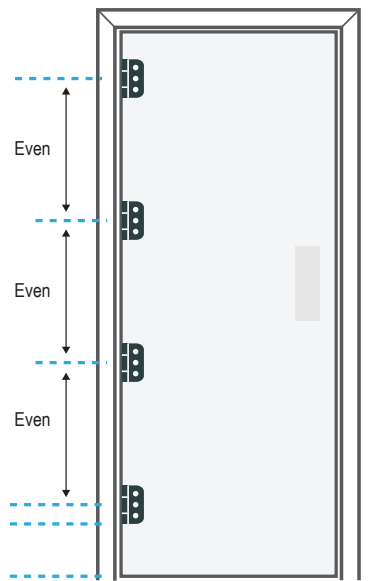
3 Hinge

(Recommended for solid/semi-solid doors under 2340x820 and hollowcore doors over 2340x820)



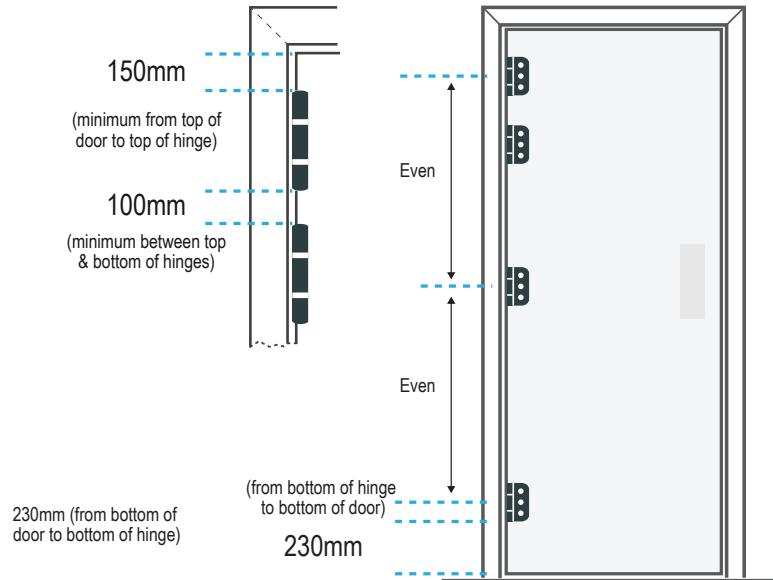
4 Hinge (A) - Evenly Spaced

(Recommended for solid doors and doors over 2340x920)



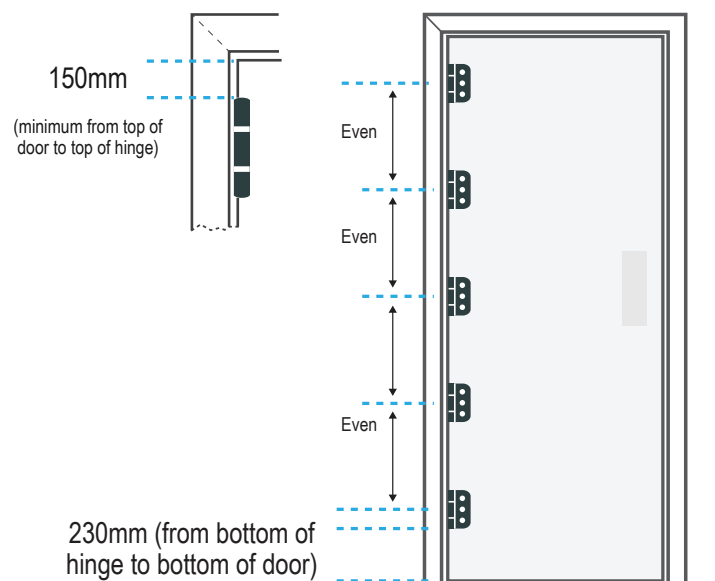
4 Hinge (B) - Top Heavy

(Recommended for solid doors and doors over 2340x920)



5 Hinge - Evenly Spaced

(Recommended for larger doors above 2500x820)



Disclaimer: This is a recommended guideline only for the DIYer. For factory fitted hinging specifications, check with your local Hume Doors & Timber office.